

PARAMECANIC AB

Sässön 734

SE 761 65 NORRTÄLJE - SWEDEN

Tel +46 (0) 176-122 23

E-mail: paramecanic@telia.com



NEVER TEST WITHOUT LOAD !



RELEASE, PARACHUTE RIPCORD
ADJUSTABLE ABOVE GROUND LEVEL

MODEL FXC 12000 P/N 811-00042-

LOT N°: REV:

SERIAL N°: MFG:

CAL: CAL DUE:

PARAMECANIC AB

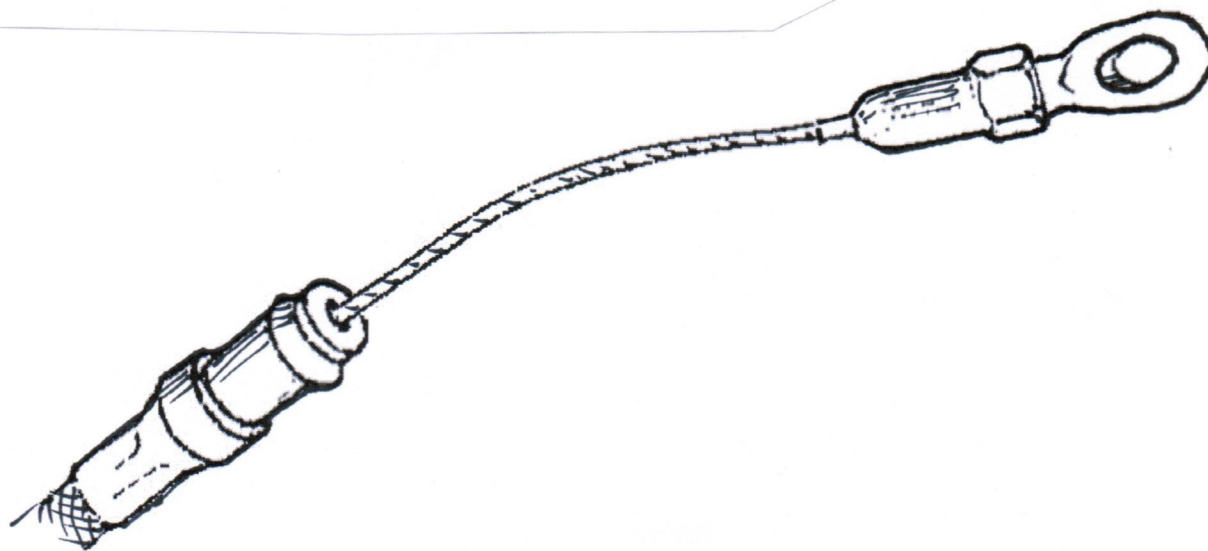
Sweden

CONTROL

Please check your pinterminal !

They should be sent along for the 2-year service !

The pinterminal is a part of the complete FXC 12000 !



PARAMECANIC AB

Sässön 734

SE 761 65 NORRTÄLJE - SWEDEN

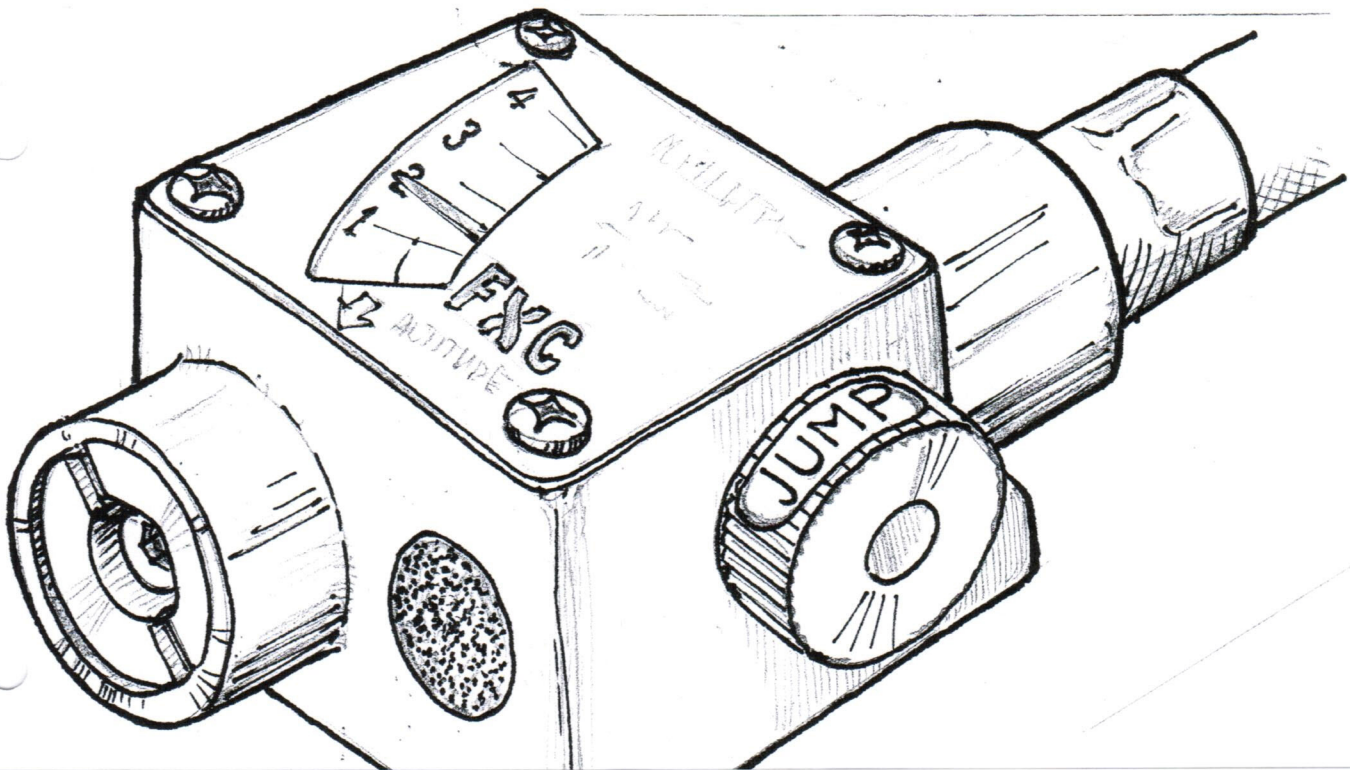
Tel +46 (0) 176-122 23

E-mail: paramecanic@telia.com

CONTROL

AFTER DISMANTLING FROM RIG !

REMOVE MUD OR DIRT !



ALWAYS TURN TO JUMP POSITION!

PARAMECANIC AB

Sässön 734

SE 761 65 NORRTÄLJE - SWEDEN

Tel +46 (0) 176-122 23

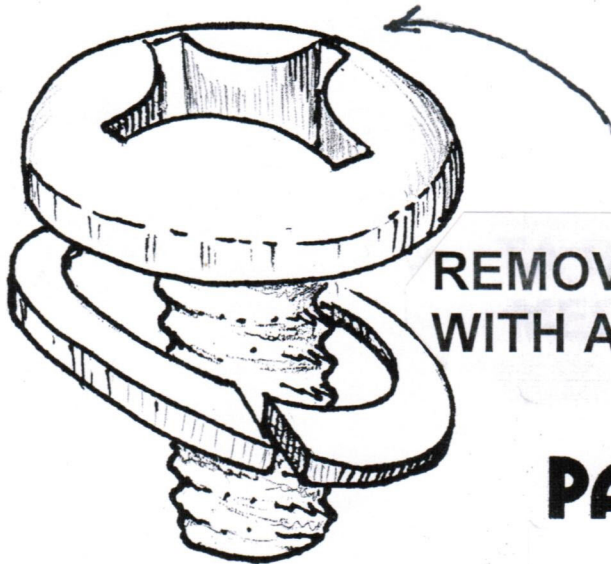
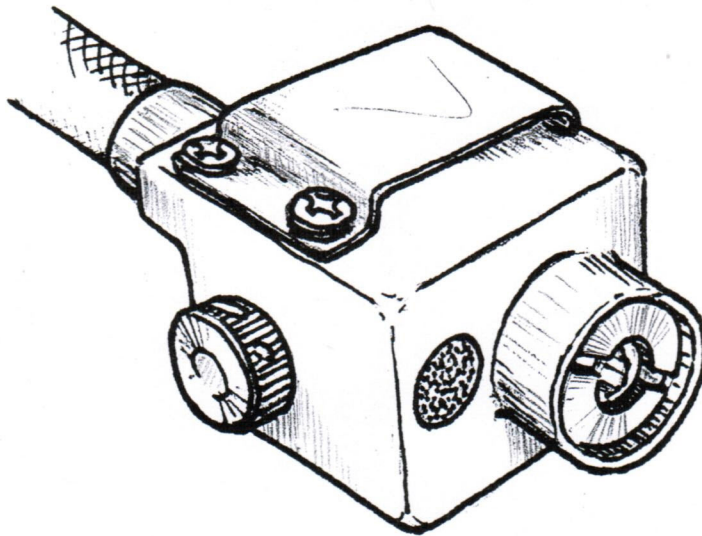
E-mail: paramecanic@telia.com

CONTROL

AFTER DISMANTLING FROM RIG !

REPLACE
SCREWS – ENTIRELY !

USE THE RIGHT
SCREWDRIVER !



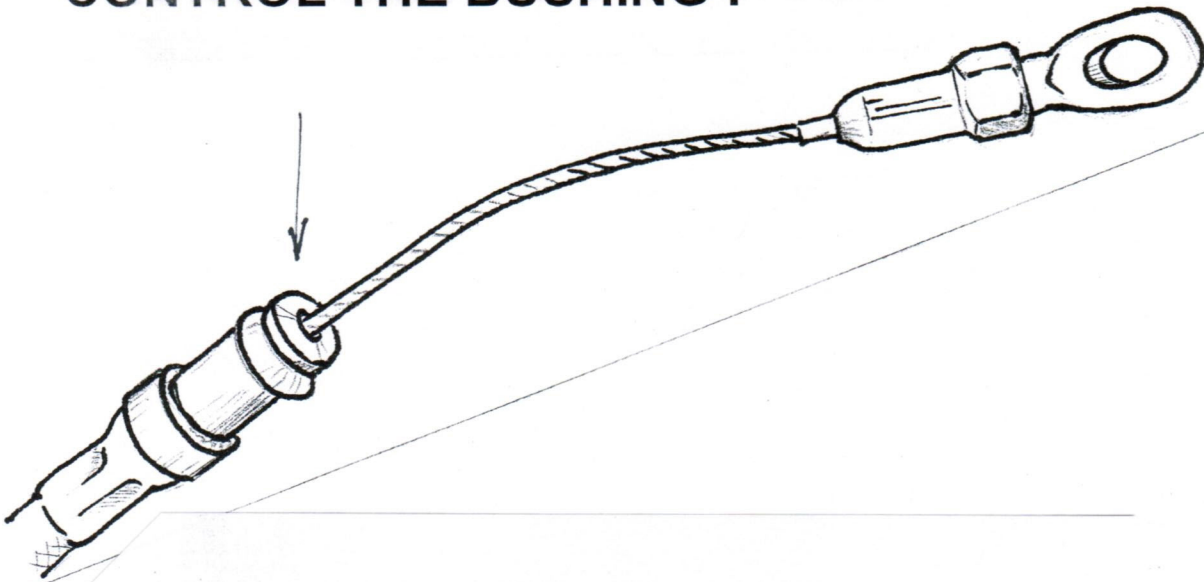
REMOVE METAL/CHIPS/SPLINTERS
WITH A FILE !

PARAMECANIC AB

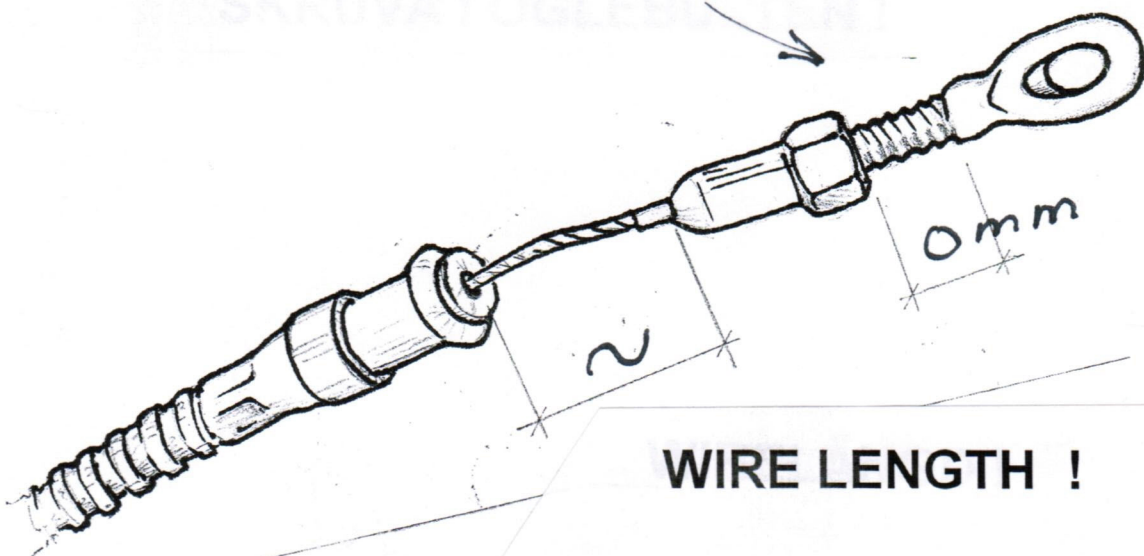
CONTROL

AFTER DISMANTLING FROM RIG !

CONTROL THE BUSHING !



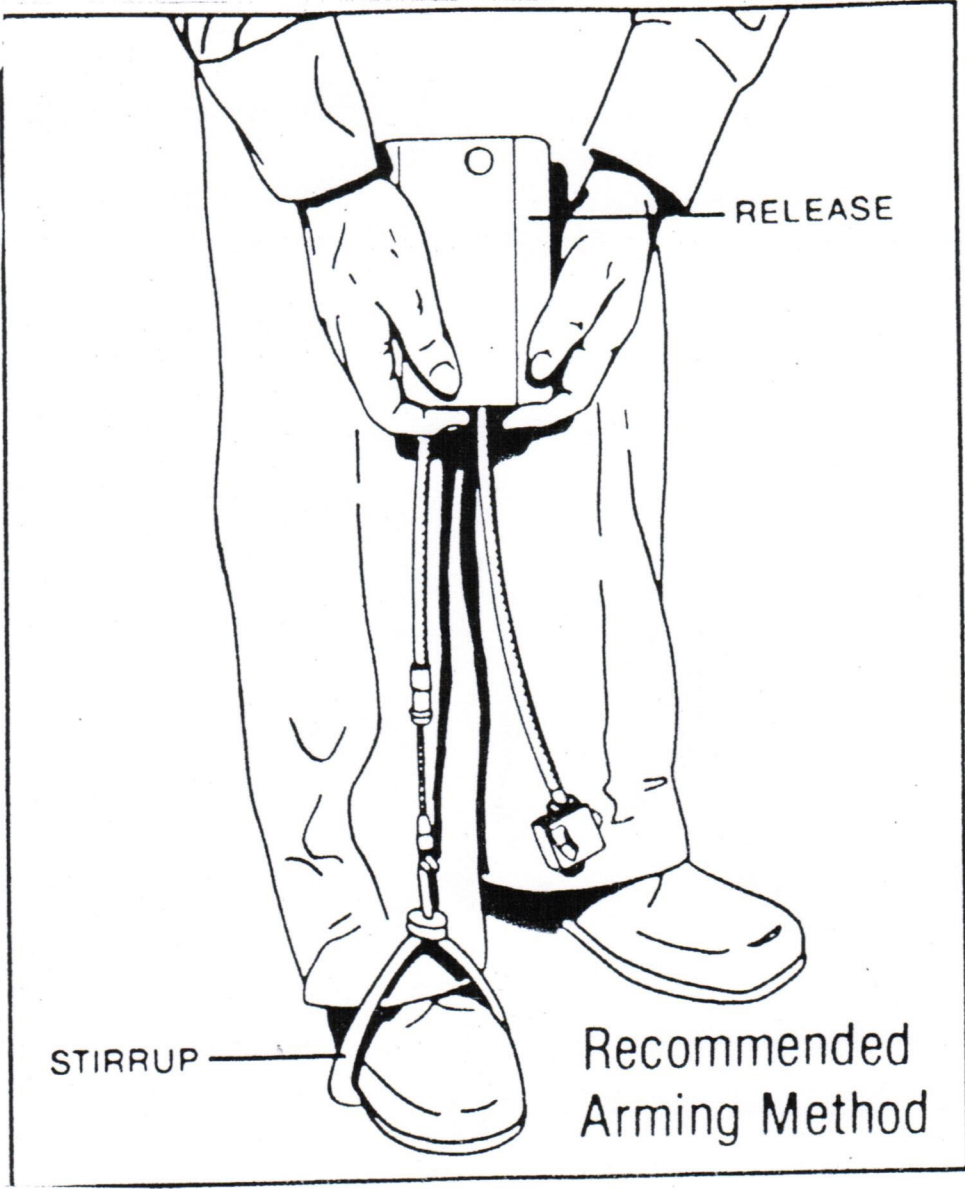
SCREW IN THE PIN TERMINAL !



WIRE LENGTH !

PARAMECANIC AB

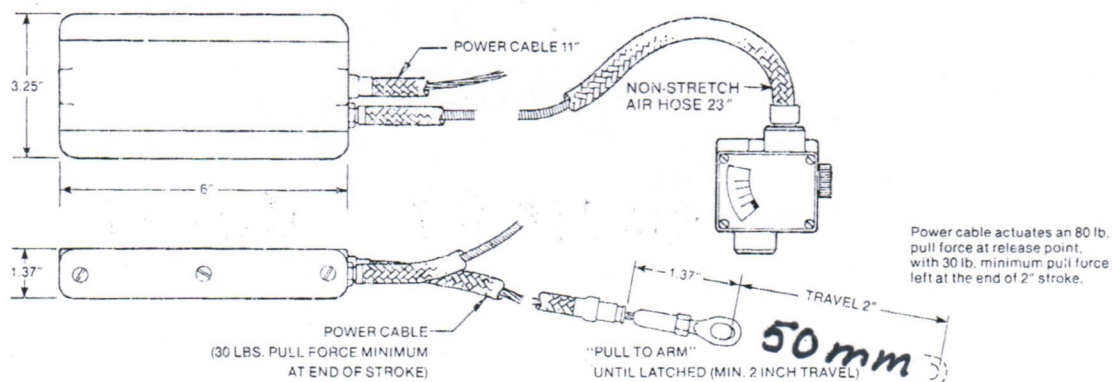
PARAMECANIC AB



HOLD WITH PRESSURE FOR 1-2 SECONDS !

RELEASE VERY SLOW !

PARAMECANIC AB



REMEMBER !

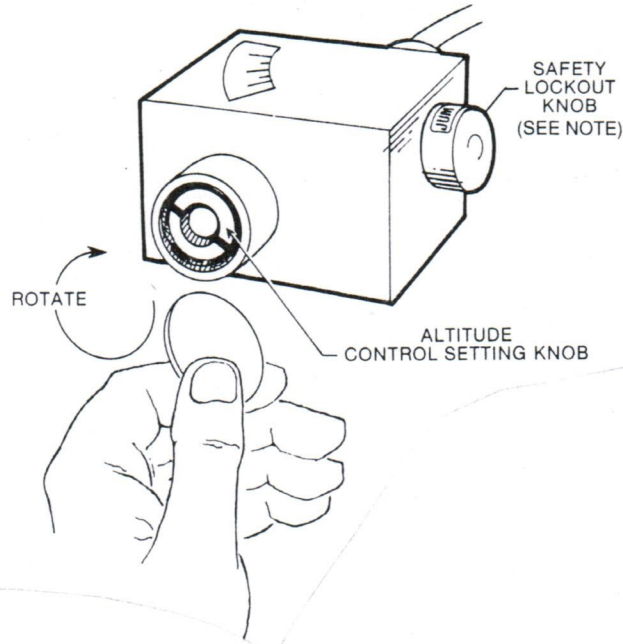
TO CHECK POWER CABLE AND WIRE LENGTH AND BIGHT !

CHECK POWER CABLE 50 MM !

THE SPRINT SHOULD LEAVE THE EYELET COMPLETELY !

IF IT DOES NOT - MOVE THE BRACKET !

PARAMECANIC AB



REMEMBER !

TURN CLOCKWISE – WHEN THE NEEDLE IS NOT DISPLAYED IN THE WINDOW !

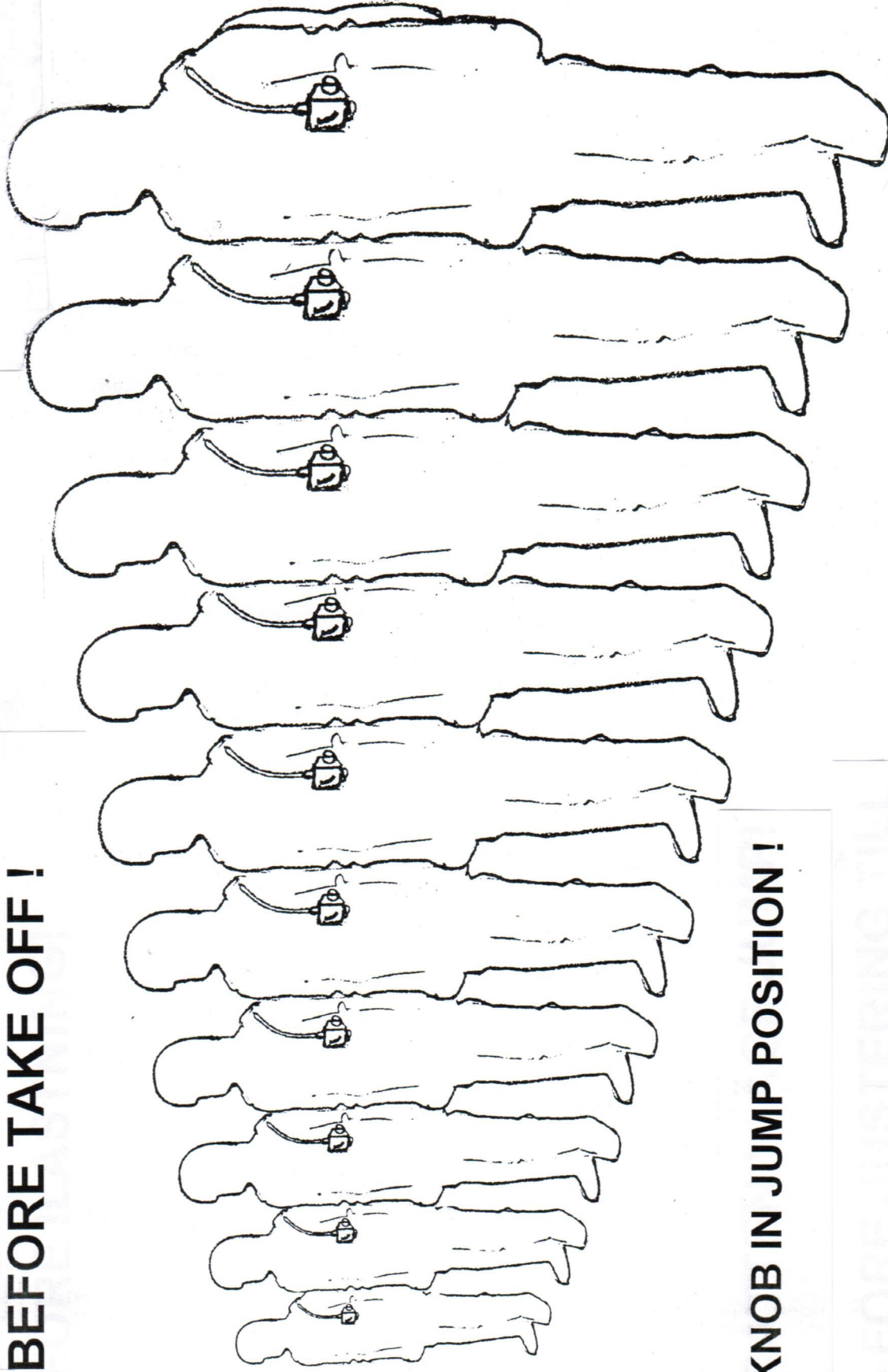
TURN - CLOCKWISE !

THE NEEDLE WILL APPEAR AFTER 1 - 2 TURNS !

PARAMECANIC AB

CONTROL

BEFORE TAKE OFF!



KNOB IN JUMP POSITION!

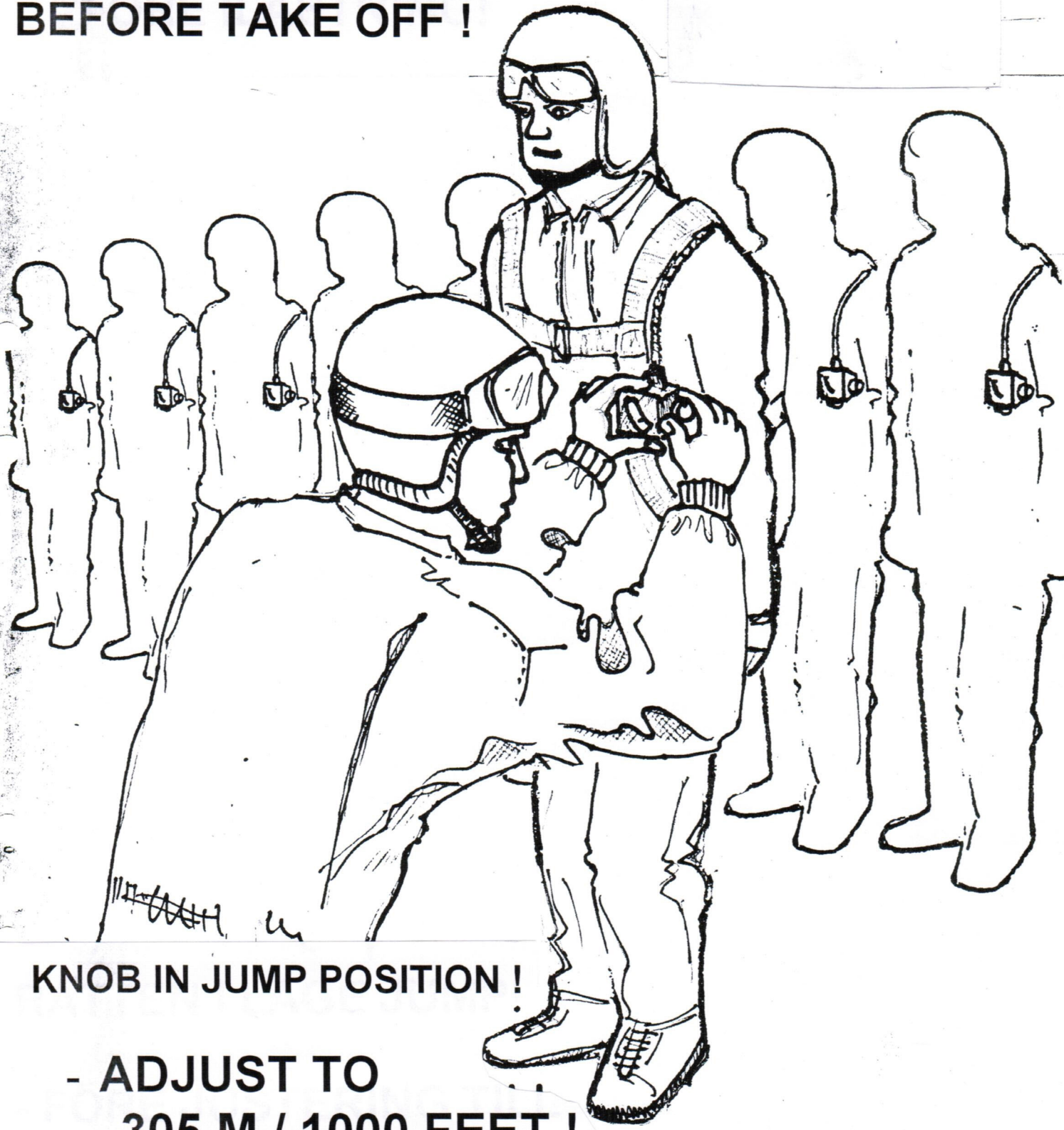
- BEFORE - ADJUST TO
305 M / 1000 FEET!

HOLD THE KNOB!

CONTROL

PARAMECANIC

BEFORE TAKE OFF !



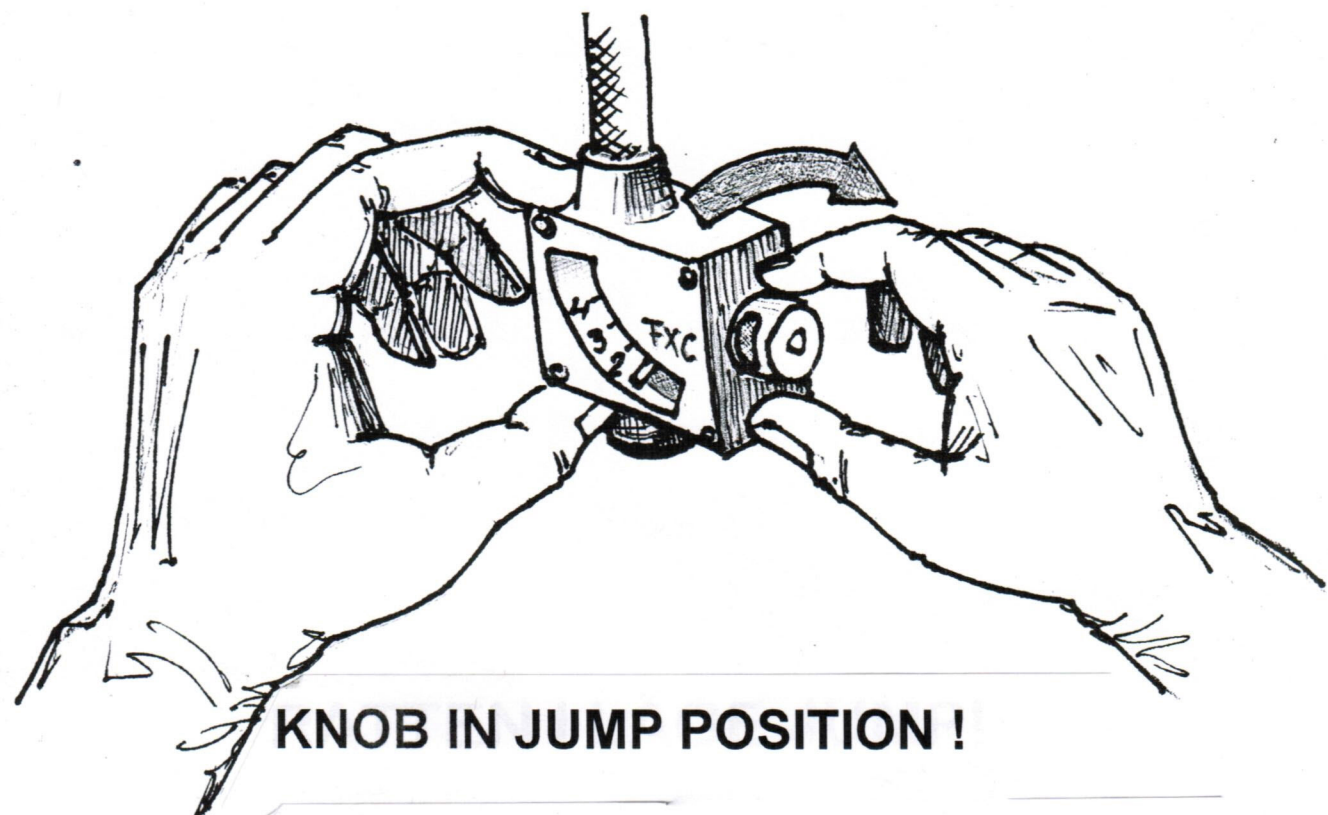
KNOB IN JUMP POSITION !

**- ADJUST TO
305 M / 1000 FEET !**

HOLD THE KNOB !

CONTROL

BEFORE TAKE OFF !



KNOB IN JUMP POSITION !

- ADJUST TO
305 M / 1000 FEET !

HOLD THE KNOB !

PARAMECANIC AB